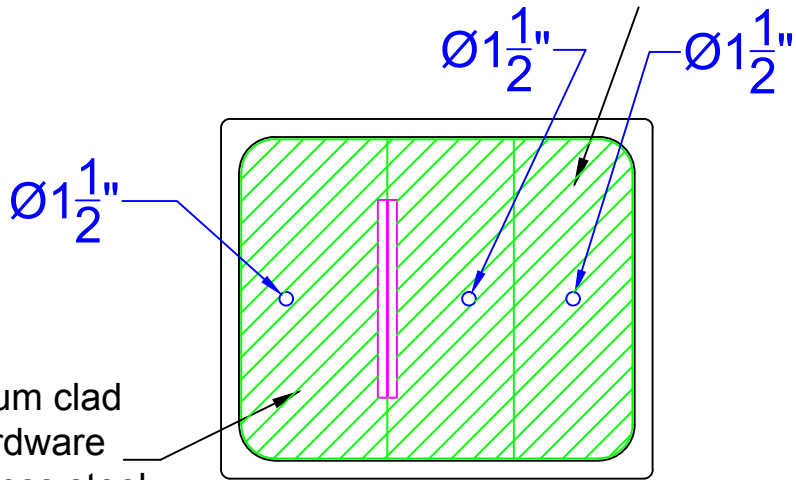

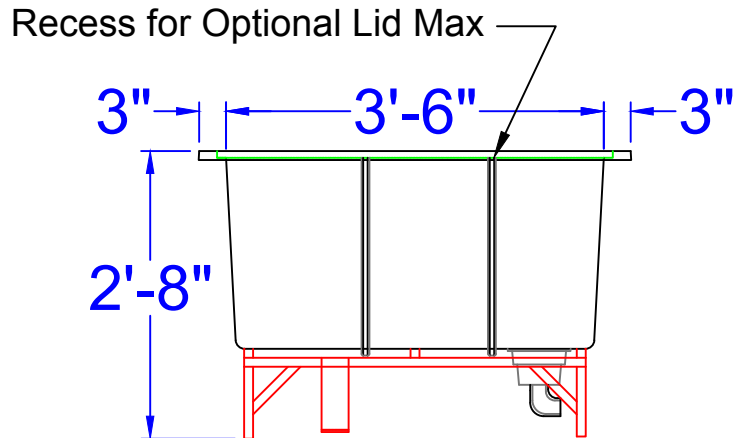


This section of lid lifts off bait tank for access



White 3 section Aluminum clad polyethylene lid. All hardware and fasteners are stainless steel. Lid sits inside recess on tank. (Not recommended for salt water)

Bait Tank Data	
Overall Width =	3'-4"
Overall Length =	4'-0"
Overall Height =	2'-8"
Overall Depth =	1'-9 1/4"
Unit Weight =	95 lbs.
Water Capacity =	123 Gallons
Available Color	
Blue	



33 Lewittes Rd.
 Taylorsville, NC 28681
 Phone: 828-632-8883
 Fax: 828-632-5585
 www.Piedmontcomposites.com

BAIT-TANK

Model : **450-LID**

Scale: **SCALE**
 Drawn by: **JEM**
 Created On **12/17/12**
 Updated On **04/03/19**

Note: All drawings are the property of Piedmont Composites & Tooling, LLC. Variation in material thickness, dimension and weight may occur. PCT reserves the right to change or modify design at anytime without notice.